

# API Flanges Catalogue :

**API flanges** may sometimes be compatible for bolting - using the same bolt circle and the same number of bolts - they do not share the same pressure rating system.

**API** is the fabrication material and a higher rated API operating pressure.

**API** flanges are manufactured for high strength operating refinery systems with products such as oil and explosive gases.

## **Standard Specification For API Flanges :**

Type: slip on flange, blind flange, welded neck flange, threaded flange, lapped joint flange(loose flange), socket welded flange, Orifice Flanges, long welded neck flange

**Material:** Carbon steel: A105,SS400,SF440 RST37.2,S235JRG2,P250GH,C22.8, Stainless Steel: F304 F304L F316 F316L 316Ti, Copper etc.

**Standard:** ANSI/ASME B16.47 Ser.A, MSS SP-44 Flange

**Size:** 26 inch to 48 inch

**Pressure:** As Per MSS SP-44 Flange

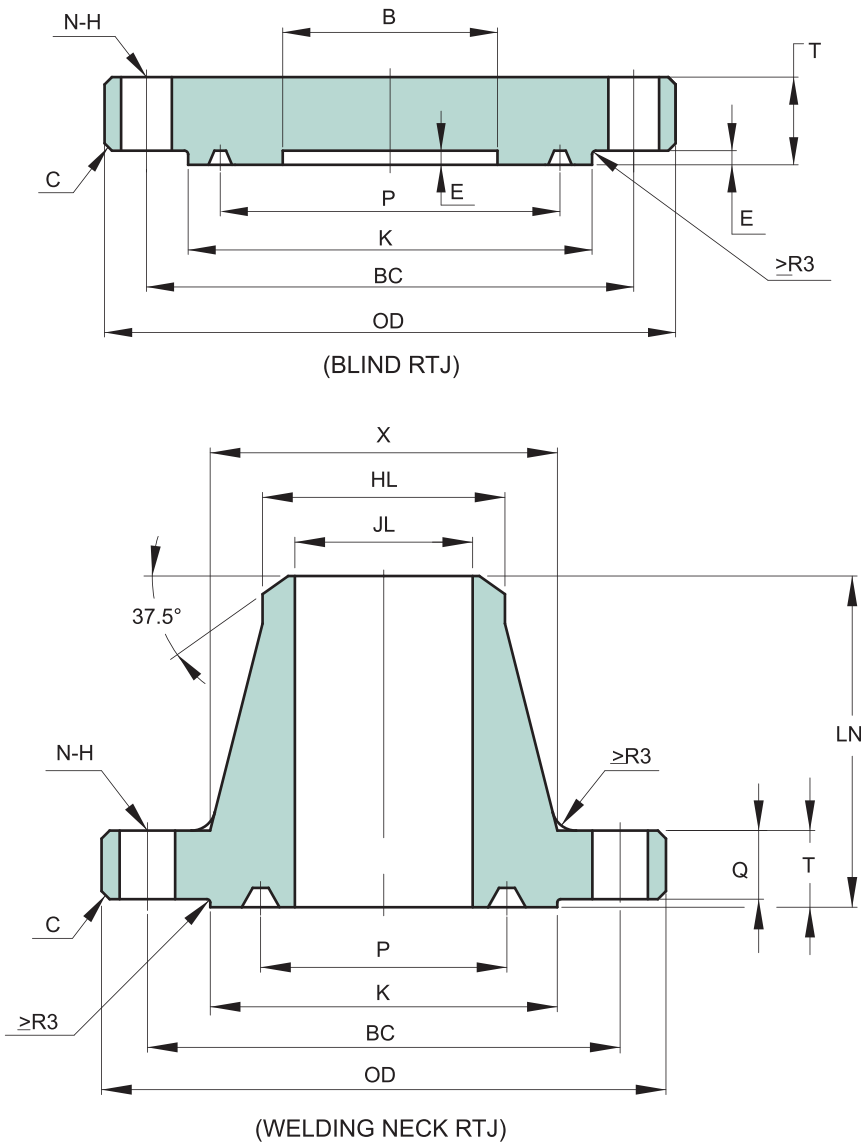
**Packing:** No Fumigate or Fumigate Plywood/Wood Pallet or Case

Surface Treatment: Anti-rust Oil, Transparent/Yellow/Black Anti-rust Paint,Zinc,Hot dipped Galvanized.

**E-catalogue:** Available , please visit catalogue of flange

**Usage:** Oil Field, Offshore, Water System, Shipbuilding, Natural Gas, Electric Power, Pipe Projects etc.

## API 6A - TYPE - 6B 13.8 MPA (2000 PSI)



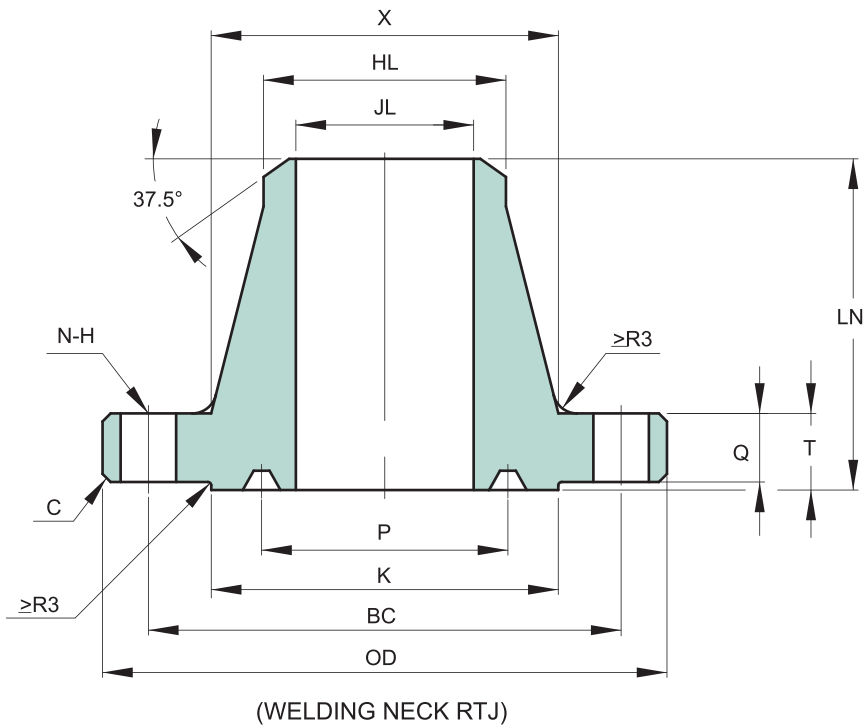
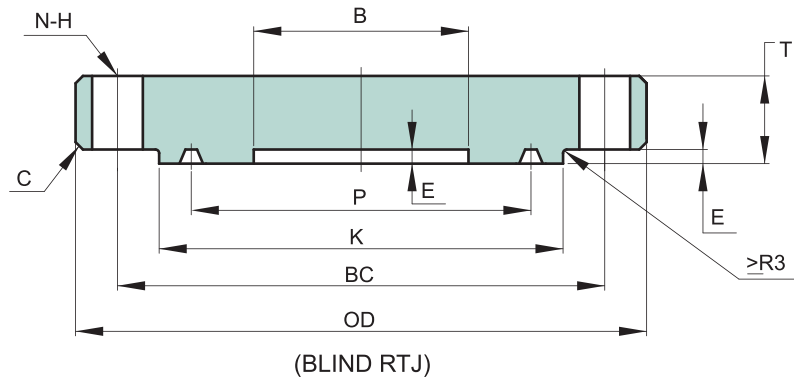
UNIT : mm

| Size    | B     | OD  | C<br>(MAX.) | K   | P      | E   | T    | Q    | X   | BC    | N  | H  | LN  | HL    | JL    | Ring Number |
|---------|-------|-----|-------------|-----|--------|-----|------|------|-----|-------|----|----|-----|-------|-------|-------------|
|         |       |     |             |     |        |     |      |      |     |       |    |    |     |       |       | R or RX     |
| 2 1/16" | 53.2  | 165 | 3           | 108 | 82.55  | 7.9 | 33.4 | 25.4 | 84  | 127   | 8  | 20 | 81  | 60.3  | 53.3  | 23          |
| 2 9/16" | 65.9  | 190 | 3           | 127 | 101.60 | 7.9 | 36.6 | 28.6 | 100 | 149.2 | 8  | 23 | 88  | 73.0  | 63.5  | 26          |
| 3 1/8"  | 81.8  | 210 | 3           | 146 | 123.83 | 7.9 | 39.7 | 31.8 | 117 | 168.3 | 8  | 23 | 91  | 88.9  | 78.7  | 31          |
| 4 1/16" | 108.7 | 275 | 3           | 175 | 149.23 | 7.9 | 46.1 | 38.1 | 152 | 215.9 | 8  | 26 | 110 | 114.3 | 103.1 | 37          |
| 5 1/8"  | 131.0 | 330 | 3           | 210 | 180.98 | 7.9 | 52.4 | 44.5 | 189 | 266.7 | 8  | 29 | 122 | 141.3 | 122.9 | 41          |
| 7 1/16" | 181.8 | 355 | 6           | 241 | 211.15 | 7.9 | 55.6 | 47.6 | 222 | 292.1 | 12 | 29 | 126 | 168.3 | 147.1 | 45          |
| 9"      | 229.4 | 420 | 6           | 302 | 269.88 | 7.9 | 63.5 | 55.6 | 273 | 349.3 | 12 | 32 | 141 | 219.1 | 199.1 | 49          |
| 11"     | 280.2 | 510 | 6           | 356 | 323.85 | 7.9 | 71.5 | 63.5 | 343 | 431.8 | 16 | 35 | 160 | 273.0 | 248.4 | 53          |
| 13 5/8" | 346.9 | 560 | 6           | 413 | 381.00 | 7.9 | 74.7 | 66.7 | 400 | 489   | 20 | 35 | -   | -     | -     | 57          |
| 16 3/4" | 426.2 | 685 | 6           | 508 | 469.90 | 7.9 | 84.2 | 76.2 | 495 | 603.2 | 20 | 42 | -   | -     | -     | 65          |
| 21 1/4" | 540.5 | 815 | 6           | 635 | 584.20 | 9.7 | 98.5 | 88.9 | 610 | 723.9 | 24 | 45 | -   | -     | -     | 73          |

NOTE :

- 1) TOLERANCE ACCORDING TO API 6A - 20TH
- 2) RING GASKET ACCORDING TO API 6A-20TH

## API 6A - TYPE - 6B 20.7 MPA (3000 PSI)



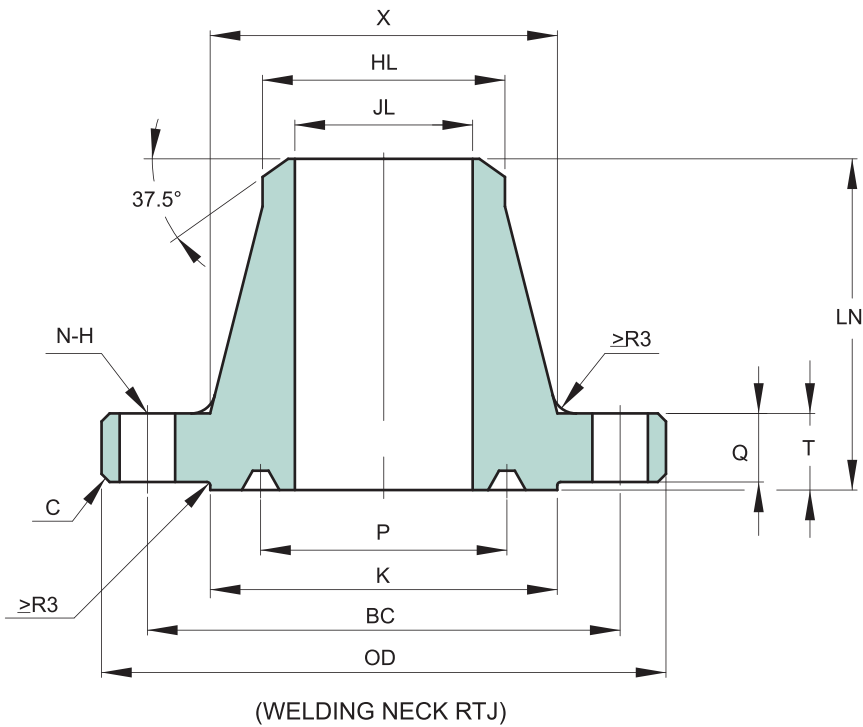
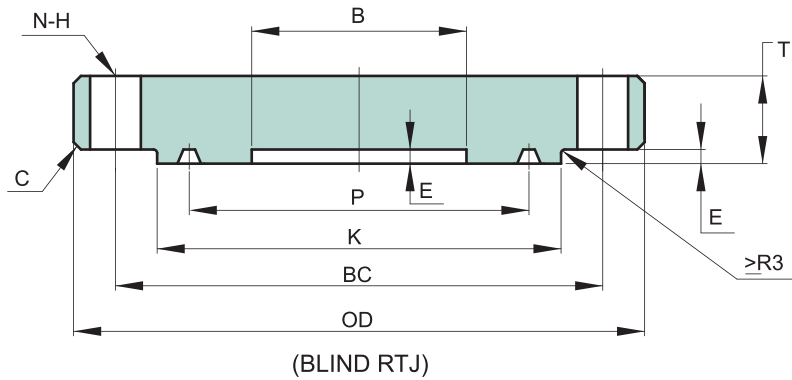
UNIT : mm

| Size    | B     | OD  | C<br>(MAX.) | K   | P      | E    | T     | Q    | X     | BC    | N  | H  | LN    | HL    | JL    | Ring Number |
|---------|-------|-----|-------------|-----|--------|------|-------|------|-------|-------|----|----|-------|-------|-------|-------------|
|         |       |     |             |     |        |      |       |      |       |       |    |    |       |       |       | R or RX     |
| 2 1/16" | 53.2  | 215 | 3           | 124 | 95.25  | 7.9  | 46.1  | 38.1 | 104.8 | 165.1 | 8  | 26 | 109.6 | 60.3  | 50.0  | 24          |
| 2 9/16" | 65.9  | 245 | 3           | 137 | 107.95 | 7.9  | 49.3  | 41.3 | 123.8 | 190.5 | 8  | 29 | 112.7 | 73.0  | 59.7  | 27          |
| 3 1/8"  | 81.8  | 240 | 3           | 156 | 123.83 | 7.9  | 46.1  | 38.1 | 127.0 | 190.5 | 8  | 26 | 109.5 | 88.9  | 74.4  | 31          |
| 4 1/16" | 108.7 | 290 | 3           | 181 | 149.23 | 7.9  | 52.4  | 44.4 | 158.8 | 235.0 | 8  | 32 | 122.2 | 114.3 | 98.0  | 37          |
| 5 1/8"  | 131.0 | 350 | 3           | 216 | 180.98 | 7.9  | 58.8  | 50.8 | 190.5 | 279.4 | 8  | 35 | 134.9 | 141.3 | 122.9 | 41          |
| 7 1/16" | 181.8 | 380 | 6           | 241 | 211.15 | 7.9  | 63.5  | 55.6 | 235.0 | 317.5 | 12 | 32 | 147.6 | 168.3 | 147.1 | 45          |
| 9"      | 229.4 | 470 | 6           | 308 | 269.88 | 7.9  | 71.5  | 63.5 | 298.5 | 393.7 | 12 | 39 | 169.9 | 219.1 | 189.7 | 49          |
| 11"     | 280.2 | 545 | 6           | 362 | 323.85 | 7.9  | 77.8  | 69.9 | 368.3 | 469.9 | 16 | 39 | 192.1 | 273   | 237.2 | 53          |
| 13 5/8" | 346.9 | 610 | 6           | 419 | 381.00 | 7.9  | 87.4  | 79.4 | 419.1 | 533.4 | 20 | 39 | -     | -     | -     | 57          |
| 16 3/4" | 426.2 | 705 | 6           | 524 | 469.90 | 11.2 | 100.1 | 88.9 | 508.0 | 616.0 | 20 | 45 | -     | -     | -     | 66          |
| 20 3/4" | 527.8 | 855 | 6           | 648 | 584.20 | 12.7 | 120.7 | 108  | 622.3 | 749.3 | 20 | 54 | -     | -     | -     | 74          |

NOTE :

- 1) TOLERANCE ACCORDING TO API 6A - 20TH
- 2) RING GASKET ACCORDING TO API 6A-20TH

## API 6A - TYPE - 6B 34.5 MPA (5000 PSI)



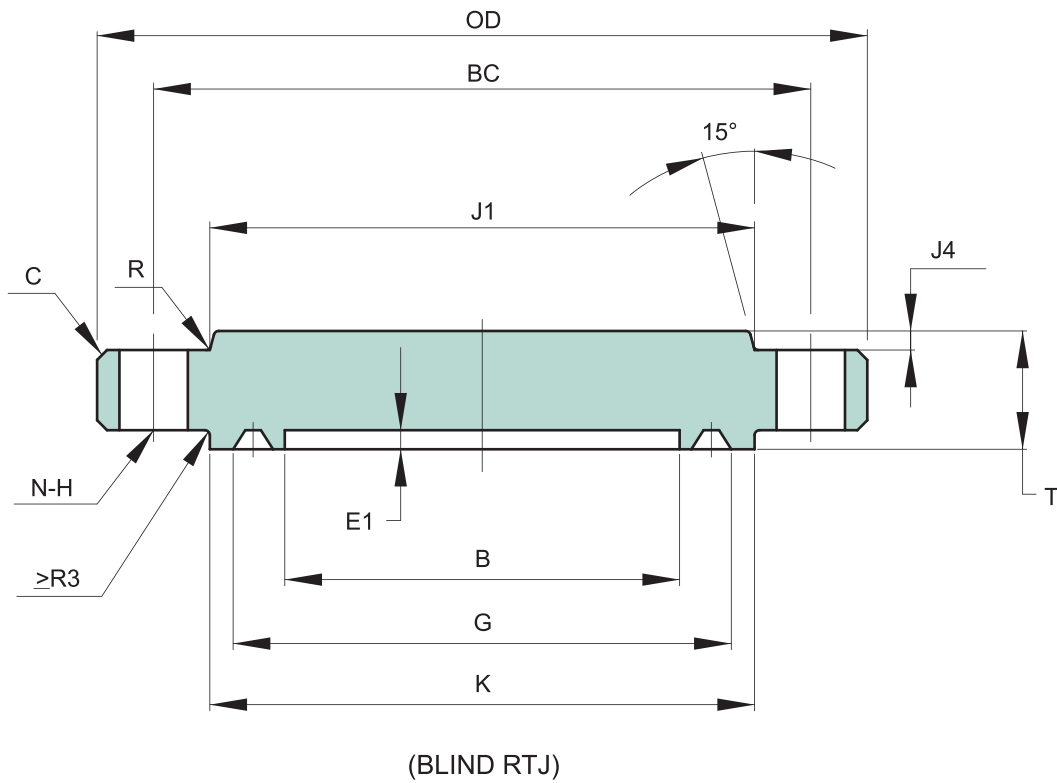
UNIT : mm

| Size    | B     | OD  | C<br>(MAX.) | K   | P      | E    | T     | Q    | X     | BC    | N  | H  | LN    | HL    | JL    | Ring Number |
|---------|-------|-----|-------------|-----|--------|------|-------|------|-------|-------|----|----|-------|-------|-------|-------------|
|         |       |     |             |     |        |      |       |      |       |       |    |    |       |       |       | R or RX     |
| 2 1/16" | 53.2  | 215 | 3           | 124 | 95.25  | 7.9  | 46.1  | 38.1 | 104.8 | 165.1 | 8  | 26 | 109.5 | 60.3  | 43.7  | 24          |
| 2 9/16" | 65.9  | 245 | 3           | 137 | 107.95 | 7.9  | 49.3  | 41.3 | 123.8 | 190.5 | 8  | 29 | 112.7 | 73.0  | 54.9  | 27          |
| 3 1/8"  | 81.8  | 265 | 3           | 168 | 136.53 | 7.9  | 55.6  | 47.7 | 133.3 | 203.2 | 8  | 32 | 125.4 | 88.9  | 67.5  | 35          |
| 4 1/16" | 108.7 | 310 | 3           | 194 | 161.93 | 7.9  | 62    | 54   | 161.9 | 241.3 | 8  | 35 | 131.8 | 114.3 | 88.1  | 39          |
| 5 1/8"  | 131.0 | 375 | 3           | 229 | 193.68 | 7.9  | 81    | 73.1 | 196.8 | 292.1 | 8  | 42 | 163.5 | 141.3 | 110.3 | 44          |
| 7 1/16" | 181.8 | 395 | 6           | 248 | 211.15 | 9.7  | 92.1  | 82.6 | 228.6 | 317.5 | 12 | 39 | 181   | 168.3 | 132.6 | 46          |
| 9"      | 229.4 | 485 | 6           | 318 | 269.88 | 11.2 | 103.2 | 92.1 | 292.1 | 393.7 | 12 | 45 | 223.8 | 219.1 | 173.8 | 50          |
| 11"     | 280.2 | 585 | 6           | 371 | 323.85 | 11.2 | 119.1 | 108  | 368.3 | 482.6 | 12 | 51 | 265.1 | 273.1 | 216.7 | 54          |

NOTE :

- 1) TOLERANCE ACCORDING TO API 6A - 20TH
- 2) RING GASKET ACCORDING TO API 6A-20TH

## API 6A - TYPE - 6BX 13.8 MPA (2000 PSI)



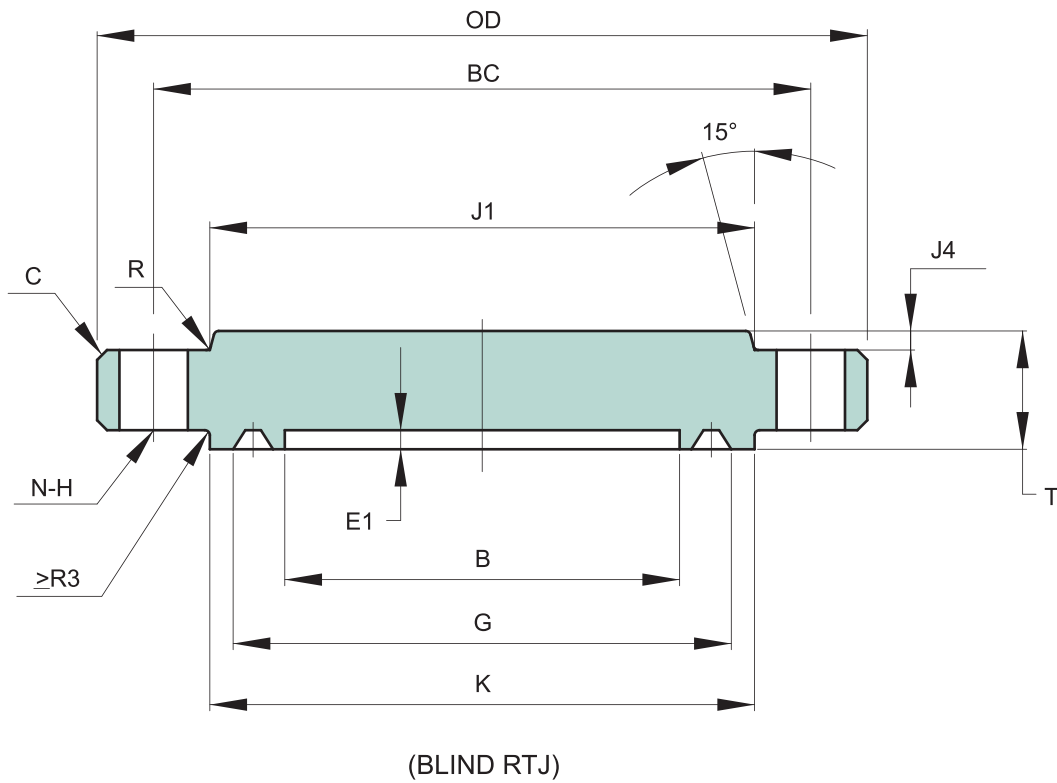
UNIT : mm

| Size    | OD   | C | E1   | G      | K   | T     | J1    | J4   | R  | BC      | N  | H  | Ring Number |
|---------|------|---|------|--------|-----|-------|-------|------|----|---------|----|----|-------------|
|         |      |   |      |        |     |       |       |      |    |         |    |    | BX          |
| 26 3/4" | 1040 | 6 | 21.4 | 768.33 | 805 | 126.3 | 835.8 | 9.7  | 16 | 952.5   | 20 | 48 | 167         |
| 30"     | 1120 | 6 | 23   | 862.3  | 908 | 134.2 | 931.9 | 17.5 | 16 | 1039.80 | 32 | 45 | 303         |

NOTE :

- 1) TOLERANCE ACCORDING TO API 6A-20TH
- 2) RING GASKET ACCORDING TO API 6A-20TH

## API 6A - TYPE - 6BX 20.7 MPA (3000 PSI)



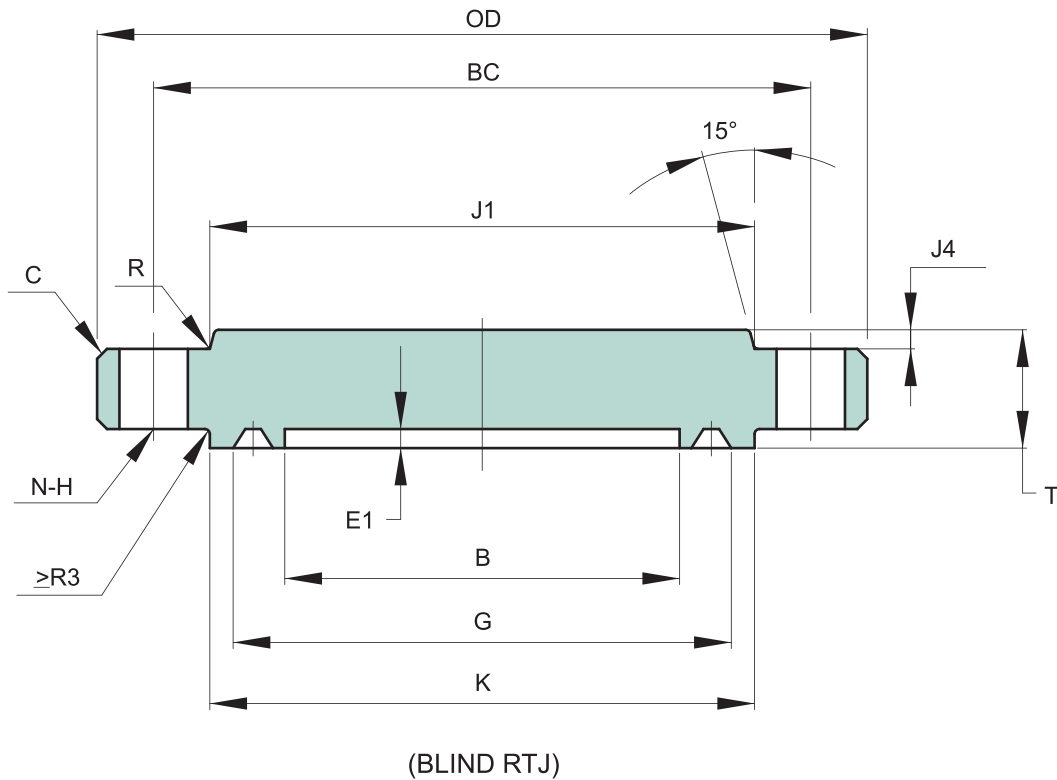
UNIT : mm

| Size    | OD   | C | E1   | G      | K   | T     | J1  | J4   | R  | BC      | N  | H  | Ring Number |
|---------|------|---|------|--------|-----|-------|-----|------|----|---------|----|----|-------------|
|         |      |   |      |        |     |       |     |      |    |         |    |    | BX          |
| 26 3/4" | 1100 | 6 | 21.4 | 774.22 | 832 | 161.2 | 870 | 0    | 16 | 1000.10 | 24 | 54 | 168         |
| 30"     | 1185 | 6 | 23   | 862.30 | 922 | 167.1 | 970 | 12.7 | 16 | 1090.60 | 32 | 51 | 303         |

NOTE :

- 1) TOLERANCE ACCORDING TO API 6A-20TH
- 2) RING GASKET ACCORDING TO API 6A-20TH

## API 6A - TYPE - 6BX 34.5 MPA (5000 PSI)



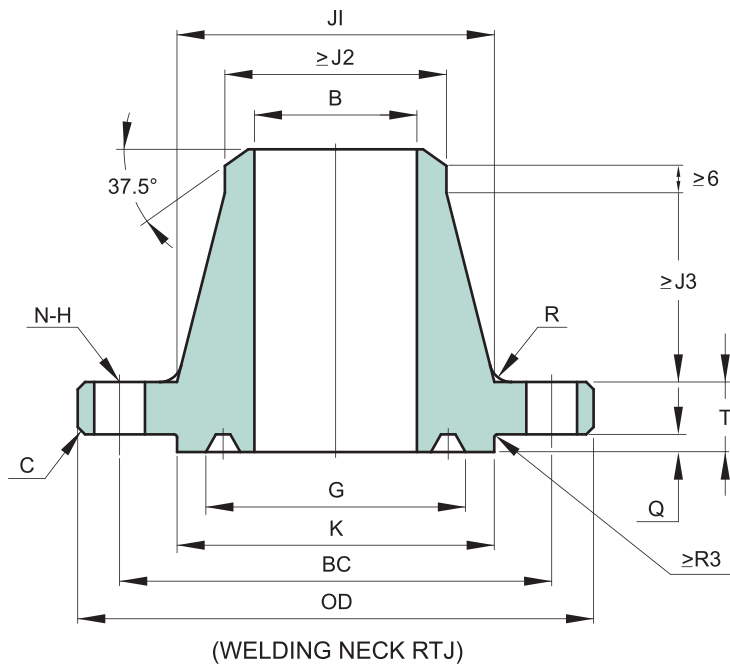
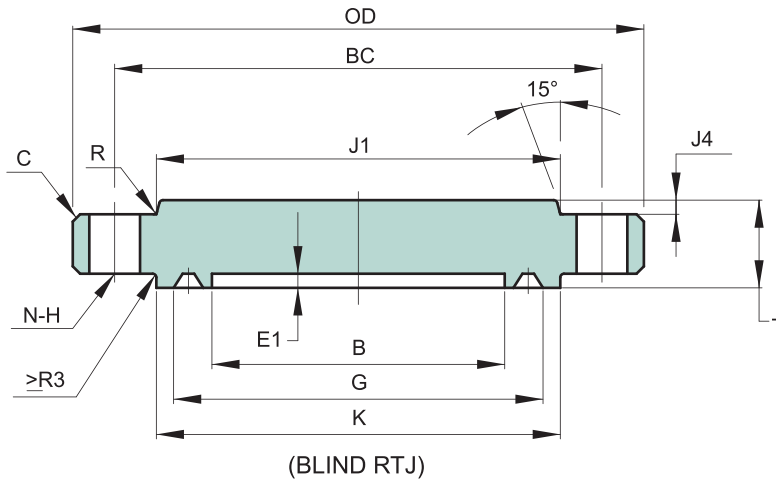
UNIT : mm

| Size    | OD  | C | E1   | G      | K   | T     | J1    | J4   | R  | BC     | N  | H  | Ring Number |
|---------|-----|---|------|--------|-----|-------|-------|------|----|--------|----|----|-------------|
|         |     |   |      |        |     |       |       |      |    |        |    |    | BX          |
| 13 5/8" | 675 | 6 | 14.3 | 408.00 | 457 | 112.8 | 481.0 | 23.9 | 16 | 590.60 | 16 | 45 | 160         |
| 16 3/4" | 770 | 6 | 8.3  | 478.33 | 535 | 130.2 | 555.6 | 17.5 | 19 | 676.30 | 16 | 51 | 162         |
| 18 3/4" | 905 | 6 | 18.3 | 563.50 | 627 | 165.9 | 674.7 | 19.1 | 16 | 803.30 | 20 | 54 | 163         |
| 21 1/4" | 990 | 6 | 19.1 | 632.56 | 702 | 181.0 | 758.8 | 22.4 | 18 | 885.80 | 24 | 54 | 165         |

NOTE :

- 1) TOLERANCE ACCORDING TO API 6A-20TH
- 2) RING GASKET ACCORDING TO API 6A-20TH

## API 6A - TYPE - 6BX 69.0 MPA (10000 PSI)



UNIT : mm

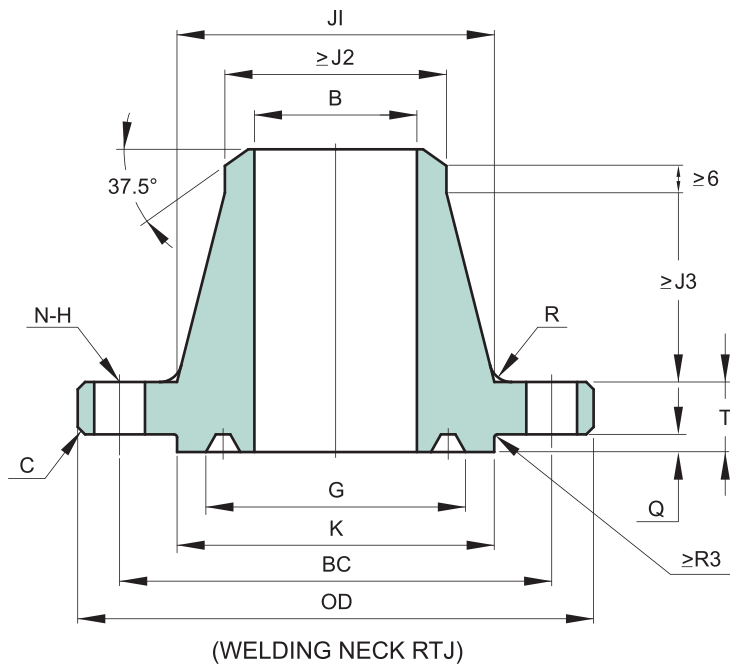
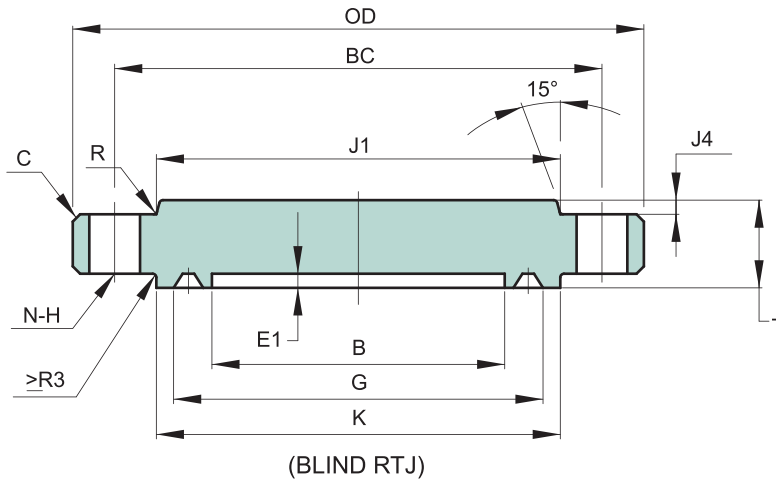
| Size     | B     | OD   | C | E1   | Q<br>(MAX.) | G      | K   | T     | J1    | J2    | J3    | J4   | R  | BC      | N  | H  | Ring Number |
|----------|-------|------|---|------|-------------|--------|-----|-------|-------|-------|-------|------|----|---------|----|----|-------------|
|          |       |      |   |      |             |        |     |       |       |       |       |      |    |         |    |    | BX          |
| 1 13/16" | 46.8  | 185  | 3 | -    | 5.56        | 77.77  | 105 | 42.1  | 88.9  | 65.1  | 48.5  | -    | 10 | 146.10  | 8  | 23 | 151         |
| 2 1/16"  | 53.2  | 200  | 3 | -    | 5.95        | 86.23  | 111 | 44.1  | 100.0 | 74.7  | 51.6  | -    | 10 | 158.80  | 8  | 23 | 152         |
| 2 9/16"  | 65.9  | 230  | 3 | -    | 6.75        | 102.77 | 132 | 51.2  | 120.7 | 92.1  | 57.2  | -    | 10 | 184.20  | 8  | 26 | 153         |
| 3 1/16"  | 78.6  | 270  | 3 | -    | 7.54        | 119.00 | 152 | 58.4  | 142.1 | 110.2 | 63.5  | -    | 10 | 215.90  | 8  | 29 | 154         |
| 4 1/16"  | 104.0 | 315  | 3 | -    | 8.33        | 150.62 | 185 | 70.3  | 182.6 | 146.1 | 73.1  | -    | 10 | 258.80  | 8  | 32 | 155         |
| 5 1/8"   | 131.0 | 360  | 3 | 9.5  | 9.53        | 176.66 | 221 | 79.4  | 223.8 | 182.6 | 81.0  | 6.4  | 10 | 300.00  | 12 | 32 | 169         |
| 7 1/16"  | 180.2 | 480  | 6 | 11.1 | 11.11       | 241.83 | 302 | 103.2 | 301.6 | 254.0 | 95.3  | 9.7  | 16 | 403.20  | 12 | 42 | 156         |
| 9"       | 229.4 | 550  | 6 | 12.7 | 12.70       | 299.06 | 359 | 123.9 | 374.7 | 327.1 | 93.7  | 9.7  | 16 | 476.30  | 16 | 42 | 157         |
| 11"      | 280.2 | 655  | 6 | 14.3 | 14.29       | 357.23 | 429 | 141.3 | 450.9 | 400.1 | 103.2 | 14.2 | 16 | 565.20  | 16 | 48 | 158         |
| 13 5/8"  | 346.9 | 770  | 6 | 15.9 | 15.88       | 432.64 | 518 | 168.3 | 552.5 | 495.3 | 114.3 | 17.5 | 16 | 673.10  | 20 | 51 | 159         |
| 16 3/4"  | 426.2 | 870  | 6 | 8.3  | 8.33        | 478.33 | 576 | 168.3 | 655.6 | 601.7 | 76.2  | 30.2 | 19 | 776.30  | 24 | 51 | 162         |
| 18 3/4"  | 477.0 | 1040 | 6 | 18.3 | 18.26       | 577.90 | 697 | 223.1 | 752.5 | 674.7 | 155.6 | 25.4 | 16 | 925.50  | 24 | 61 | 164         |
| 21 1/4"  | 540.5 | 1145 | 6 | 19.1 | 19.05       | 647.88 | 781 | 241.3 | 847.7 | 762.0 | 165.1 | 31.8 | 21 | 1022.40 | 24 | 67 | 166         |

NOTE :

- 1) TOLERANCE ACCORDING TO API 6A-20TH
- 2) RING GASKET ACCORDING TO API 6A-20TH



## API 6A - TYPE - 6BX 103.5 MPA (15000 PSI)



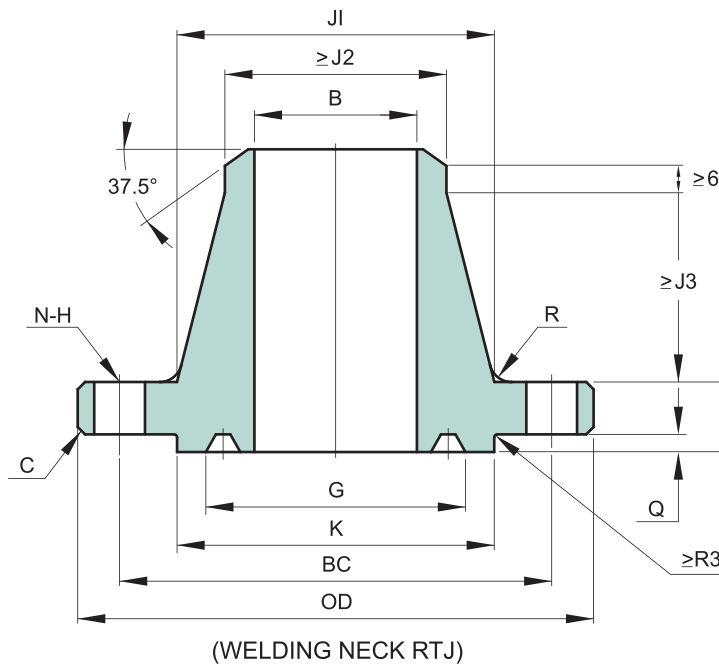
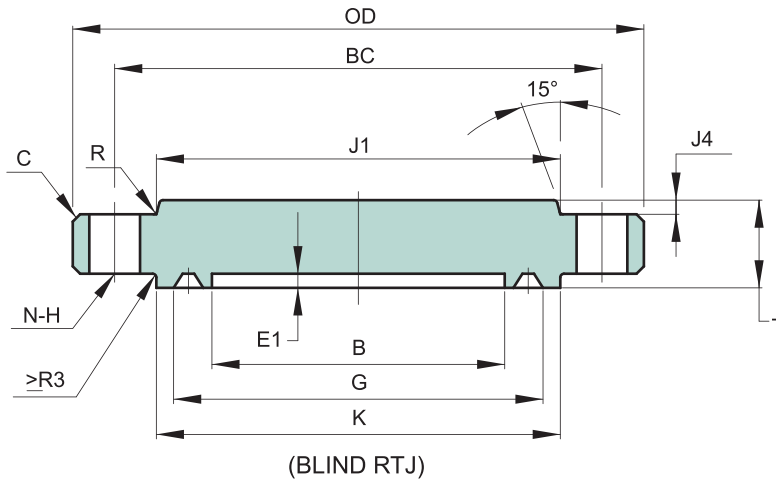
UNIT : mm

| Size     | B     | OD   | C | E1   | Q<br>(MAX.) | G      | K   | T     | J1    | J2    | J3    | J4   | R  | BC      | N  | H  | Ring Number |
|----------|-------|------|---|------|-------------|--------|-----|-------|-------|-------|-------|------|----|---------|----|----|-------------|
|          |       |      |   |      |             |        |     |       |       |       |       |      |    |         |    |    | BX          |
| 1 13/16" | 46.8  | 210  | 3 | -    | 5.56        | 77.77  | 106 | 45.3  | 97.6  | 71.4  | 47.6  | -    | 10 | 160.3   | 8  | 26 | 151         |
| 2 1/16"  | 53.2  | 220  | 3 | -    | 5.95        | 86.23  | 114 | 50.8  | 111.1 | 82.5  | 54.0  | -    | 10 | 174.60  | 8  | 26 | 152         |
| 2 9/16"  | 65.9  | 255  | 3 | -    | 6.75        | 102.77 | 133 | 57.2  | 128.6 | 100.0 | 57.1  | -    | 10 | 200.00  | 8  | 29 | 153         |
| 3 1/16"  | 78.6  | 290  | 3 | -    | 7.54        | 119.00 | 154 | 64.3  | 154.0 | 122.2 | 63.5  | -    | 10 | 230.20  | 8  | 32 | 154         |
| 4 1/16"  | 104.0 | 360  | 3 | -    | 8.33        | 150.62 | 194 | 78.6  | 195.3 | 158.7 | 73.0  | -    | 10 | 290.50  | 8  | 39 | 155         |
| 5 1/8"   | 131.0 | 420  | 3 | 9.5  | 9.53        | 176.66 | 225 | 98.5  | 244.5 | 200.0 | 81.8  | 6.4  | 16 | 342.90  | 12 | 42 | 169         |
| 7 1/16"  | 180.2 | 505  | 6 | 11.1 | 11.11       | 241.83 | 305 | 119.1 | 325.4 | 276.2 | 92.1  | 7.9  | 16 | 428.60  | 16 | 42 | 156         |
| 9"       | 229.4 | 650  | 6 | 12.7 | 12.70       | 299.06 | 381 | 146.1 | 431.8 | 349.2 | 123.8 | 14.2 | 16 | 552.40  | 16 | 51 | 157         |
| 11"      | 280.2 | 815  | 6 | 14.3 | 14.29       | 357.23 | 454 | 187.4 | 584.2 | 427.0 | 235.7 | 12.7 | 16 | 711.20  | 20 | 54 | 158         |
| 13 5/8"  | 346.9 | 885  | 6 | 15.9 | 15.88       | 432.64 | 541 | 204.8 | 595.3 | 528.6 | 114.3 | 17.5 | 25 | 771.50  | 20 | 61 | 159         |
| 18 3/4"  | 477.0 | 1160 | 6 | 18.3 | 18.26       | 577.90 | 722 | 255.6 | 812.8 | 730.2 | 155.6 | 35.1 | 25 | 1016.00 | 20 | 80 | 164         |

NOTE :

- 1) TOLERANCE ACCORDING TO API 6A-20TH
- 2) RING GASKET ACCORDING TO API 6A-20TH

## API 6A - TYPE - 6BX 138.0 MPA (20000 PSI)



UNIT : mm

| Size     | B     | OD   | C | E1   | Q<br>(MAX.) | G      | K   | T     | J1    | J2    | J3    | J4   | R  | BC      | N  | H  | Ring Number |
|----------|-------|------|---|------|-------------|--------|-----|-------|-------|-------|-------|------|----|---------|----|----|-------------|
|          |       |      |   |      |             |        |     |       |       |       |       |      |    |         |    |    | BX          |
| 1 13/16" | 46.8  | 255  | 3 | -    | 5.56        | 77.77  | 117 | 63.5  | 133.4 | 109.5 | 49.2  | -    | 10 | 203.20  | 8  | 29 | 151         |
| 2 1/16"  | 53.2  | 285  | 3 | -    | 5.95        | 86.23  | 132 | 71.5  | 154.0 | 127.0 | 52.4  | -    | 10 | 230.20  | 8  | 32 | 152         |
| 2 9/16"  | 65.9  | 325  | 3 | -    | 6.75        | 102.77 | 151 | 79.4  | 173.0 | 144.5 | 58.7  | -    | 10 | 261.90  | 8  | 35 | 153         |
| 3 1/16"  | 78.6  | 355  | 3 | -    | 7.54        | 119.00 | 171 | 85.8  | 192.1 | 160.3 | 63.5  | -    | 10 | 287.30  | 8  | 39 | 154         |
| 4 1/16"  | 104.0 | 445  | 3 | -    | 8.33        | 150.62 | 219 | 106.4 | 242.9 | 206.4 | 73.0  | -    | 10 | 357.20  | 8  | 48 | 155         |
| 7 1/16"  | 180.2 | 655  | 6 | 11.1 | 11.11       | 241.83 | 352 | 165.1 | 385.8 | 338.1 | 96.8  | 7.9  | 16 | 554.00  | 16 | 54 | 156         |
| 9"       | 229.4 | 805  | 6 | 12.7 | 12.7        | 299.06 | 441 | 204.8 | 481.0 | 428.6 | 107.9 | 6.4  | 25 | 685.80  | 16 | 67 | 157         |
| 11"      | 280.2 | 885  | 6 | 14.3 | 14.29       | 357.23 | 505 | 223.9 | 566.7 | 508.0 | 103.2 | 12.7 | 25 | 749.30  | 16 | 74 | 158         |
| 13 5/8"  | 346.9 | 1160 | 6 | 15.9 | 15.88       | 432.64 | 614 | 292.1 | 693.7 | 628.6 | 133.3 | 14.2 | 25 | 1016.00 | 20 | 80 | 159         |

NOTE :

- 1) TOLERANCE ACCORDING TO API 6A-20TH
- 2) RING GASKET ACCORDING TO API 6A-20TH